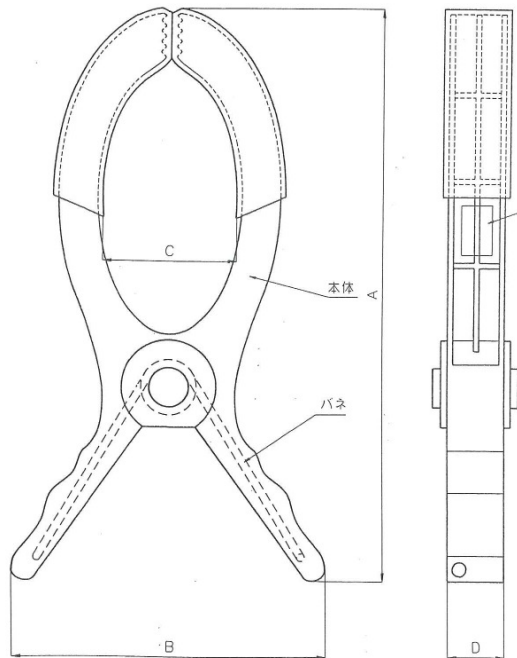




Mats & Covers Clamp

The **Balmoral** Mats & Covers Clamp is designed to assist the fixing of insulating mats, covers and drapes to overhead power lines or substations and switchboard panels.

Specifications



Item No: YS-211-3-5

Dimensions:

Overall Length (A)	~220mm
Width (B)	~115mm
Jaw closed (C)	~ 55mm
Jaw open	~138mm
Thickness (D)	~ 22mm
Weight	~100g

Materials:

UV stabilized green Polypropylene body and PVC tips.

Disclaimer: The information in this document or product specification is believed to be correct as of the date of issue and subject to change without notice. **BALMORAL ENGINEERING** makes no warranties, expressed or implied of the merchantability or fitness for purpose. The products are only to be used by industry certified personnel. By selling any component of a product or kit, we make no guarantees or warranties as to the serviceability of the actual product or kit into which the component is being installed. Furthermore, it is recommended that any such installation is done by the manufacturer. The user is responsible for determining whether the **BALMORAL ENGINEERING** product is fit for a particular purpose and suitable for the user's method of use or application. Given the variety of factors that can affect the use and application of a product, some of which are within the user's knowledge and control, it is essential that the user evaluate the product to determine whether it is fit for a particular purpose and suitable for the user's method of use or application. The purpose of this document is to provide a detailed description of the product and/or guidance in the best practice for the care of **BALMORAL ENGINEERING** products. Notwithstanding, that all the above directions are followed, the ultimate responsibility for maintaining the product in good working order is with the end user. As service environments differ markedly with application, the level of care required may change and is solely the responsibility of the end user. The above should be construed as a minimum standard only.

BALMORAL[®] is a registered Trademark